

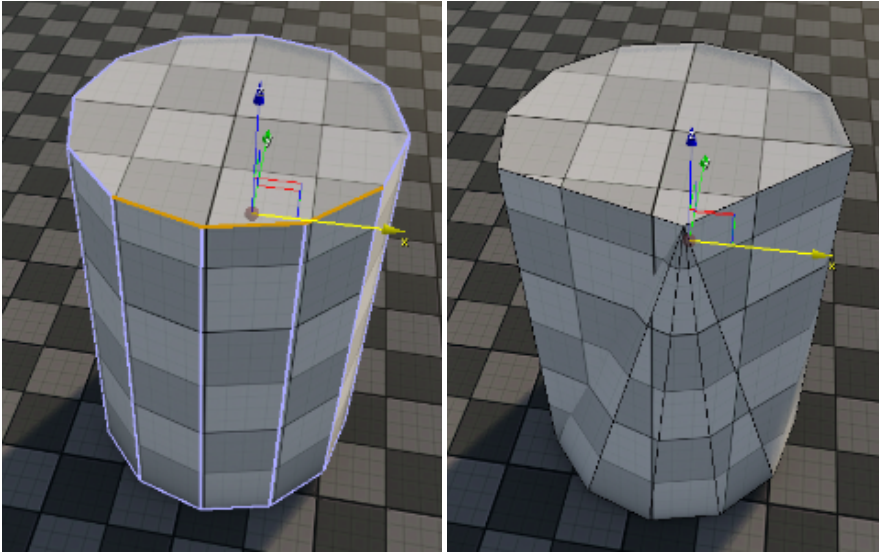
The Collapse Tool will be available starting from CRYENGINE 3.8.1

## Overview

The connected edges will be collapsed to the center position of them with this tool.

## How to Use

Select edges and click "Collapsed" button in Edit group.



You can also select multiple edge groups as follows. Each edge group will be collapsed to the center of each group in this case.

